

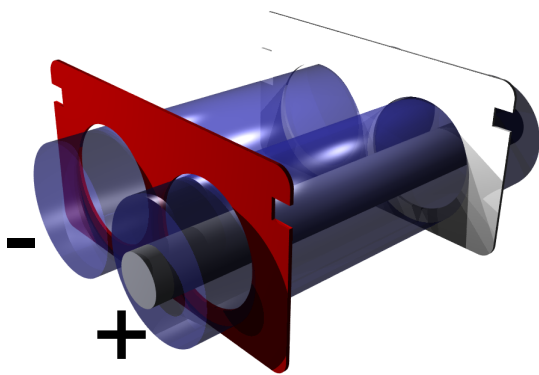
# Paper Car 2014

by DNCLABS.COM

## Step 5 Installing batteries

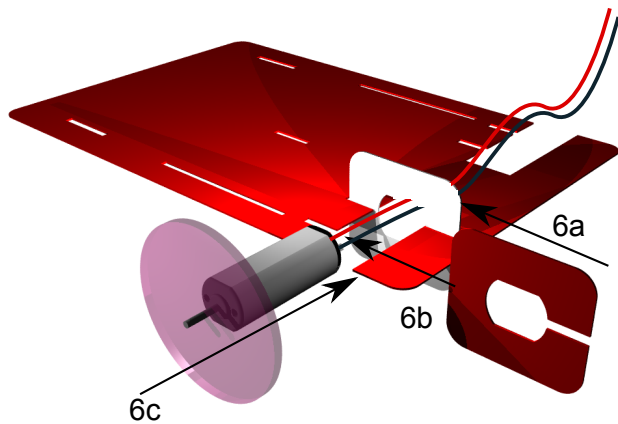


**Caution: Inserting the batteries backwards will damage the car.**



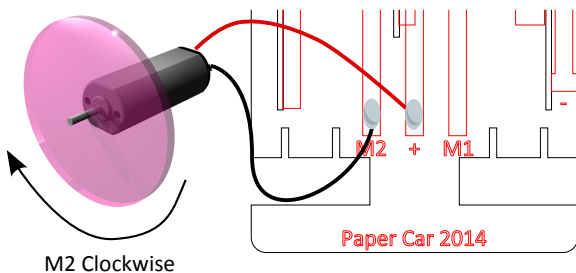
- Slide AAA batteries into the two cardboard holders. Make sure you align the + and - symbols to the car.
- Wrap two elastics around the battery and PCBs to firm up the connection.
- Turn on the power switch and confirm the green power and processor LEDs turn on.

## Step 6 Installing motors



- Install the larger wheels with logos onto the motors.
- Solder 2" of ribbon cable to each motor
- Slide the motor mounts into the paper body making sure that colour side of the paper faces out. 6a and 6b
- Slip the motor wires into the motor mount and seat the motors firmly in the cardboard mounts 6c.

## Step 7 Motor testing



- Turn power on and hold the M2 wires against the foil at + and M2. The wheel should rotate clockwise. If not reverse the wires.
- Turn off the power
- Solder the leads to the copper foil.
- Repeat this for motor M1.
- Both wheels should now be running.

## Step 8 Installing front wheels

- Slip one of the small wheels onto the axle.
- slip the two front axle brackets into the paper body slots making sure the colour side faces out.
- Slip the front axle with the wheel through the two holes in the axle bracket. The holes are on the bottom side of the car
- Slip the second small wheel onto the axle.

## Step 9 Celebrate!

- You're done!
- Now go have fun!